

# Rama 6 Inch 7°-50° Fresnel



The Rama 6" Fresnel (750W / 1000W, 6" lens) provides an adjustable cone of light that has a soft edge, easily blended with adjacent beams to provide even illumination.

## Features

Adjustable yoke balance point.

'Swing-down' door for easy access to lamp or cleaning.

Smooth 'posi-slide' focus system, no metal to metal contact.

Constructed of aluminum extrusion and molded engineering plastics.

Cooler operation due to use of engineering plastics on front (color frame mount) and rear of fixture.

Heat-insulated rear grab-handle which doubles as handy storage for the 3-foot fixture supply cable.

Tilt and focus scale is in real degrees allowing for accurate WSIYWYG implementation.

Permanently attached integrated safety cable ensures that this important safety requirement is always on hand.

Integral micro-switch provides automatic disconnection of power to the fixture when opening to relamp, preventing a student or technician inserting a lamp into an electrically live fixture.

Three year warranty.

## Lamps: 120V and 115V

### Lamp Socket: P28

**500W BTL 120V** 500hrs average life

**575W BTH 115V**  
15,500 lumens 300hrs average life

**750W BTN 120V**  
17,500 lumens 500hrs average life

**1000W BTR 120V**  
27,000 lumens 250hrs average life

### Lamp Socket: G22

**1000W EGT 120V** 240hrs average life

## Ordering Information

<b>16RAFR6</b>	Rama 6" Fresnel – P28 lamp socket, black
<b>16RAFR150G22</b>	Rama 6" Fresnel - G22 lamp socket, black
<b>20BDSF12</b>	Barndoor (fits 6 or 7 Inch fixture), 4 way, black
<b>20BDSF128</b>	Barndoor (fits 6 or 7 Inch fixture), 8 way, black
<b>20CFSF12</b>	Spare color frame
<b>20SM6</b>	Lens safety mesh
<b>USCLAMP</b>	Spare US theatrical C-clamp

For connector options please specify the following suffixes when ordering:

- GR NEMA 5-15P Grounded Edison
- GP 20A Stage Pin Plug
- GTL NEMA L5-20P Twist-Lock

## Approvals

UL 1573 and CSA C22.2 No. 166-MI983 listed.

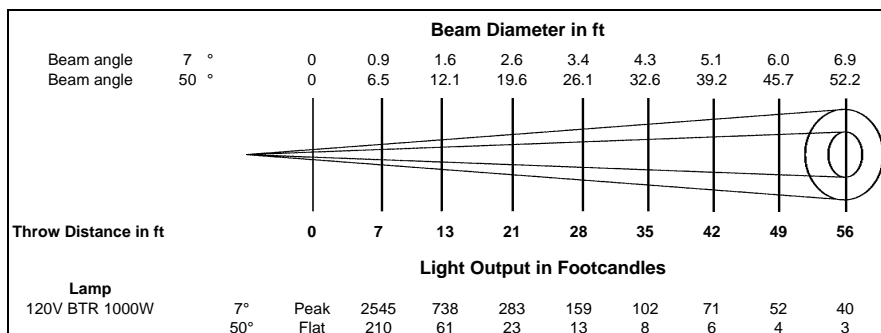
## SPECIFICATION SUBMITTAL

CONSULTANT: <input type="text"/>	PROJECT NAME: <input type="text"/>	MODEL NUMBER   QUANTITY: <input type="text"/> <input type="text"/> <input type="text"/> <input type="text"/>
DATE: <input type="text"/>	PROJECT NUMBER: <input type="text"/>	APPROVED BY: <input type="text"/>

## Photometric Data

Tests conducted using standard lamps.

Spot 7° 165,600 cd      Flood 50° 17,640 cd  
 Field: 14°                      61°



For Lux please multiply Fc by 10.7

## Physical Data

**Weight:** 11lb 10oz

**Packed weight:** 13lb 10oz

**Color frame size:** 7 3/8" x 7 1/2"

**AC supply cable:** 36"

**Fixture with integrated safety cable supplied with:** 1x color frame, 1x C-clamp and instruction sheet.

### North America

10911 Petal Street  
 Dallas, Texas 75238  
 Tel: +1 214 647 7880  
 Fax: +1 214 647 8030

267 5th Ave, 4th Floor  
 New York, NY 10016  
 Tel: +1 212 213 8219  
 Fax: +1 212 532 2593

### New Zealand

19-21 Kawana Street  
 Northcote, Auckland 0627  
 Tel: +64 9 481 0100  
 Fax: +64 9 481 0101

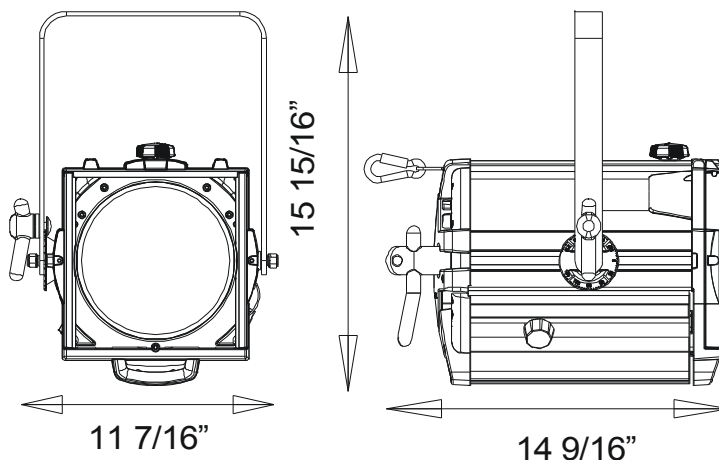
### Hong Kong

Unit C, Block C 14/F.,  
 Roxy Industrial Centre  
 No. 41-49 Kwai Cheong Road  
 Kwai Chung, N.T.  
 Tel: +852 2796 9786  
 Fax: +852 2798 6545

### European Service & Distribution Centre

Marssteden 152  
 Enschede 7547 TD  
 the Netherlands  
 Tel: +31 53 450 0424  
 Fax: +31 53 450 0425

100411NA



© Philips Group 2010

All rights reserved.

The Company reserves the right to make any variation in design or construction to the equipment described.  
 E&OE

**PHILIPS**  
**Selecon**