

Pacific 45°-75° Zoomspot



A base down axial ellipsoidal delivering a “cool” beam of light in a beam range adjustable between 45° to 75°. The beam is crisp “white” light with little or no distortion in the range of 45°-65°, ideal for gobo projection and precise beam shaping.

An energy efficient fixture with active heat management system delivers longer life for filters and shutters while providing lower energy consumption.

Features

A super wide Zoom range, ideal for onstage applications; gobo projection for entertainment and architectural applications.

Cool light 'white' light. Over 80% of the heat is removed from the light beam by cold mirror and dissipated through the heat-sink.

Constructed from aluminum pressure die-castings and injection molded Fortron plastic components.

Accurate, simple & cool to use, lamp peak / flat adjustment.

Two gobo / iris mounting positions + rotatable lens tube.

Height adjustable yoke.

Permanently attached safety cable ensures that this important safety requirement is always on hand.

Integral micro-switch provides automatic disconnection of power to the fixture when opening to relamp, preventing a student or technician inserting a lamp into an electrically live fixture.

Three year warranty.

Approvals

ETL / cETL listed to UL 1573.

Lamps: 115V

GLC 575W 15,500 lumens	300hrs average life
GLA 575W 13,000 lumens	1500hrs average life
GLD 750W 18,600 lumens	400hrs average life
Philips 120V 750W 20,500 lumens	Type code 6981P 300hrs average life
GAC 1000W BP 27,000 lumens	250hrs average life

Ordering Information

PAC1-575/750-4575	Pacific 45-75 Zoomspot, 575W, 750W
PAC1-1000-4575	Pacific 45-75 Zoomspot, 1000W
19PACGHA	Steel gobo holder – A size
19PACGHAG	Glass gobo holder – A size
19PACGHPLPH	Printed transparency holder – 575W only
20IRIS	Iris
19PACZDONUT	Donut
20CFSF12	Spare color frame
19PACSM1228	Lens safety mesh
USCLAMP	Spare US theatrical C-clamp

For connector options please specify the following suffixes when ordering:

- GR NEMA 5-15P Grounded Edison
- GP 20A Stage Pin Plug
- GTL NEMA L5-20P Twist-Lock

SPECIFICATION SUBMITTAL

CONSULTANT: <input type="text"/>	PROJECT NAME: <input type="text"/>	MODEL NUMBER QUANTITY: <input type="text"/> <input type="text"/> <input type="text"/> <input type="text"/> <input type="text"/> <input type="text"/>
DATE: <input type="text"/>	PROJECT NUMBER: <input type="text"/>	APPROVED BY: <input type="text"/>

Photometric Data

Tests conducted using standard 115V production lamps manufactured by Philips.

		Beam Diameter in ft								
Beam angle	45 °, ft	0	10.8	16.2	21.5	27.3	32.3	38.1	43.5	48.9
Beam angle	75 °, ft	0	20.0	29.9	39.9	50.6	59.9	70.6	80.6	90.5
Throw Distance in ft		0	13	19.5	26	33	39	46	52.5	59
		Light Output in Footcandles								
Lamp	115V GLC 575W	45° Peak	215	96	54	33	24	17	13	-
		Flat	177	79	44	27	20	14	-	-
		75° Peak	95	42	24	15	11	-	-	-
		Flat	74	33	19	11	8	6	-	-
Lamp	115V BP 1000W	45° Peak	247	110	62	38	27	20	15	-
		Flat	228	101	57	35	25	18	14	-
		75° Peak	113	50	28	18	13	-	-	-
		Flat	93	41	23	14	-	-	-	-

To calculate the light output data for the long life GLA 575W lamp please multiply the above GLC 575W figures by x0.86.

For Lux please multiply Fc by 10.7

Physical Data

Weight: 21 lbs

Carton size: 25 1/2" x 14 3/4" x 10 5/8" (estimated)

Color frame size: 7 5/8" x 7 5/8"

Gobo size: A, 3" diameter image

AC supply cable: 36"

Included: 1x color frame, 1x safety cable, 1x C-clamp, 1x heat sink guard and instruction sheet.

North America

10911 Petal Street
Dallas, Texas 75238
Tel: +1 214 647 7880
Fax: +1 214 647 8030

267 5th Ave, 4th Floor
New York, NY 10016
Tel: +1 212 213 8219
Fax: +1 212 532 2593

New Zealand

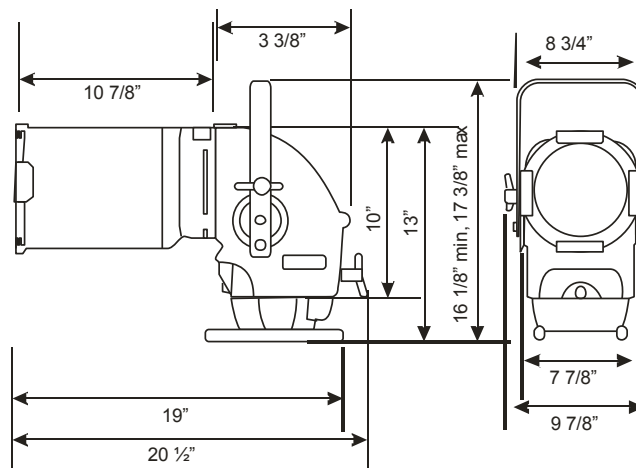
19-21 Kawana Street
Northcote, Auckland 0627
Tel: +64 9 481 0100
Fax: +64 9 481 0101

Hong Kong

Unit C, Block C 14/F.,
Roxy Industrial Centre
No. 41-49 Kwai Cheong Road
Kwai Chung, N.T.
Tel: +852 2796 9786
Fax: +852 2798 6545

European Service & Distribution Centre

Marssteden 152
Enschede 7547 TD
the Netherlands
Tel: +31 53 450 0424
Fax: +31 53 450 0425



© Philips Group 2010

All rights reserved. The Company reserves the right to make any variation in design or construction to the equipment described. E&OE

100411NA

PHILIPS
Selecon