

Pacific 23°-50° Zoomspot



A base down axial ellipsoidal delivering a “cool” beam of light in a beam range adjustable between 23° to 50°.

The beam is crisp “white” light with little or no distortion, ideal for gobo projection and precise beam shaping. The active heat management system delivers longer life for filters and shutters while providing lower energy consumption.

This fully featured fixture is constructed from aluminum pressure die-castings and injection molded Fortron plastic components.

Features

Cool light ‘white’ light. Over 80% of the heat is removed from the light beam by cold mirror and dissipated through the heat-sink.

Base down lamp mounted axially in the reflector to maximize light collection.

Accurate, simple and cool to use, lamp peak / flat adjustment.

Rotatable lens tube.

Two gobo / iris mounting positions.

Height adjustable yoke.

Permanently attached safety cable ensures that this important safety requirement is always on hand.

Integral micro-switch provides automatic disconnection of power to the fixture when opening to relamp, preventing a student or technician inserting a lamp into an electrically live fixture.

Three year warranty.

Approvals

ETL / cETL listed to UL 1573.

Lamps: 115V

GLC 575W 15,500 lumens	300hrs average life
GLA 575W 13,000 lumens	1500hrs average life
GLD 750W 18,600 lumens	400hrs average life
Philips 120V 750W 20,500 lumens	Type code 6981P 300hrs average life
GAC 1000W BP 27,000 lumens	250hrs average life

Ordering Information

PAC1-575/750-2350	Pacific 23-50 Zoomspot, 575W, 750W
PAC1-1000-2350	Pacific 23-50 Zoomspot, 1000W
19PACGHA	Steel gobo holder – A size
19PACGHAG	Glass gobo holder – A size
19PACGHPLPH	Printed transparency holder – 575W only
20IRIS	Iris
19PACFBDONUT	Donut
19PACCF	Spare color frame
19PACSMFB	Lens safety mesh
USCLAMP	Spare US theatrical C-clamp

For connector options please specify the following suffixes when ordering:

- GR NEMA 5-15P Grounded Edison
- GP 20A Stage Pin Plug
- GTL NEMA L5-20P Twist-Lock

SPECIFICATION SUBMITTAL

CONSULTANT: <input type="text"/>	PROJECT NAME: <input type="text"/>	MODEL NUMBER QUANTITY: <input type="text"/> <input type="text"/> <input type="text"/> <input type="text"/> <input type="text"/> <input type="text"/>
DATE: <input type="text"/>	PROJECT NUMBER: <input type="text"/>	APPROVED BY: <input type="text"/>

Photometric Data

Tests conducted using standard 115V production lamps manufactured by Philips.

		Beam Diameter in ft									
Beam angle	23 °, ft	0	5.3	10.8	16.1	21.4	26.9	32.1	37.4	42.7	
Beam angle	50 °, ft	0	12.1	24.7	36.8	49.0	61.6	73.7	85.8	97.9	
Throw Distance in ft		0	13	26.5	39.5	52.5	66	79	92	105	
Lamp		Light Output in Footcandles									
115V 750W	23°	Peak	1263	304	137	77	49	-	-	-	-
		Flat	697	168	75	43	-	-	-	-	-
	50°	Peak	386	93	42	-	-	-	-	-	-
		Flat	139	-	-	-	-	-	-	-	-
115V GLC 575W	23°	Peak	1161	279	126	71	45	-	-	-	
		Flat	418	101	45	-	-	-	-	-	
	50°	Peak	316	76	-	-	-	-	-	-	
		Flat	130	-	-	-	-	-	-	-	
115V BP 1000W	23°	Peak	1282	309	139	79	50	-	-	-	
		Flat	790	190	86	48	-	-	-	-	
	50°	Peak	390	94	42	-	-	-	-	-	
		Flat	190	46	-	-	-	-	-	-	

To calculate the light output data for the long life GLA 575W lamp please multiply the above GLC 575W figures by x0.86.

For Lux please multiply Fc by 10.7

Physical Data

North America

10911 Petal Street
Dallas, Texas 75238
Tel: +1 214 647 7880
Fax: +1 214 647 8030

267 5th Ave, 4th Floor
New York, NY 10016
Tel: +1 212 213 8219
Fax: +1 212 532 2593

New Zealand

19-21 Kawana Street
Northcote, Auckland 0627
Tel: +64 9 481 0100
Fax: +64 9 481 0101

Hong Kong

Unit C, Block C 14/F.,
Roxy Industrial Centre
No. 41-49 Kwai Cheong Road
Kwai Chung, N.T.
Tel: +852 2796 9786
Fax: +852 2798 6545

European Service & Distribution Centre

Marssteden 152
Enschede 7547 TD
the Netherlands
Tel: +31 53 450 0424
Fax: +31 53 450 0425

100411NA

Weight: 18lbs 8oz

Carton size: 25 1/2" x 15 3/4" x 10 5/8"

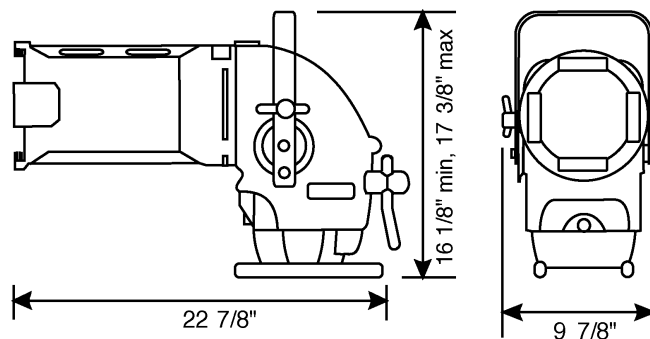
Color frame size: 6 1/4" x 6 1/4"

Gobo size: A, 3" diameter image

Gobo holder width: 4 3/4"

AC supply cable: 36"

Included: 1x color frame, 1x safety cable, 1x C-clamp, 1x heat sink guard and instruction sheet.



© Philips Group 2010

All rights reserved. The Company reserves the right to make any variation in design or construction to the equipment described. E&OE

PHILIPS
Selecon