

Product Specification Sheet

Pacific 45°-75° Zoomspot



A base down axial profile delivering a “cool” beam of light in a beam range adjustable between 45° to 75°.

The beam is crisp “white” light with little or no distortion in the range of 45°-65°, ideal for pattern projection and precise beam shaping.

An energy efficient luminaire with active heat management system delivers longer life for filters, shutters etc and lower energy consumption.

Features

A super wide Zoom range, ideal for onstage applications; pattern projection for entertainment and architectural applications.

Cool light ‘white’ light. Over 80% of the heat is removed from the light beam by cold mirror and dissipated through the heat-sink.

Base down lamp mounted axially in the reflector to maximise light collection.

Choice of 600W, 800W, 1000W or 150W MH or MSR 575W lamp modules (each supplied with 1m mains cable).

Constructed from aluminium pressure die castings and injection moulded Fortron plastic components

Accurate, simple & cool to use, lamp peak / flat adjustment.

Two pattern / iris mounting positions + rotatable lens tube.

Height adjustable yoke.

Automatic disconnection of power on removal of lamp module.

Lamps: 240V

GKV600W	15,000 lumens	300 hours average life
GLB600W	13,000 lumens	1500 hours average life
800W	22,000 lumens	400 hours average life
GAD1000WBP	25,000 lumens	250 hours average life
GAB1000W BP 230V	25,000 lumens	250 hours average life

Order Codes

18PAC4575/6
Pacific 45-75 Zoomspot, 600W/800W

18PAC4575/1
Pacific 45-75 Zoomspot, 1000W

18PACTUBE4575
Pacific 45-75 lens tube

19PACGHA
Pacific gobo holder, A size

20IRIS
Pacific iris

19PACSM1228
Lens safety mesh

20HC
Suspension hook clamp

Approvals

CE marked.

Photometric Data

Tests conducted using standard 240V production lamps manufactured by Philips.

		Beam Diameter									
Beam angle	45 °, m	0	3.3	5.0	6.6	8.3	9.9	11.6	13.3	14.9	
Beam angle	75 °, m	0	6.1	9.2	12.3	15.3	18.4	21.5	24.6	27.6	
Throw Distance in m		0	4	6	8	10	12	14	16	18	
Lamp		Light Output in Lux									
240V BP 1000W	45°	Peak	2130	947	533	341	237	174	133	105	
		Flat	2070	920	518	331	230	169	129	102	
240V 800W	75°	Peak	1000	444	250	160	111	82	-	-	
		Flat	900	400	225	144	100	73	-	-	
240V GKV 600W	45°	Peak	2460	1093	615	394	273	201	154	121	
		Flat	1750	778	438	280	194	143	109	86	
240V GKV 600W	75°	Peak	1060	471	265	170	118	87	66	52	
		Flat	640	284	160	102	71	-	-	-	
80V 1200W	45°	Peak	1850	822	463	296	206	151	116	91	
		Flat	1300	578	325	208	144	106	81	-	
MSR 575 / 2	75°	Peak	815	362	204	130	91	-	-	-	
		Flat	700	311	175	112	78	-	-	-	
CDM-T -150-830/942	45°	Peak	3520	1564	880	563	391	287	220	174	
		Flat	3300	1467	825	528	367	269	206	163	
CDM-SAT-150-942	75°	Peak	1500	667	375	240	167	122	94	-	
		Flat	1100	489	275	176	122	90	-	-	
CST 250 HR	45°	Peak	7200	3200	1800	1152	800	588	450	356	
		Flat	4100	1822	1025	656	456	335	256	202	
CDM-T -150-830/942	75°	Peak	3300	1467	825	528	367	269	206	163	
		Flat	1950	867	488	312	217	159	122	96	
CDM-SAT-150-942	45°	Peak	1470	653	368	235	163	120	92	73	
		Flat	1150	511	288	184	128	94	-	-	
CST 250 HR	75°	Peak	655	291	164	105	73	-	-	-	
		Flat	485	216	121	78	-	-	-	-	
CST 250 HR	45°	Peak	2600	1156	650	416	289	212	163	128	
		Flat	1400	622	350	224	156	114	88	-	
CST 250 HR	75°	Peak	1120	498	280	179	124	91	-	-	
		Flat	700	311	175	112	78	-	-	-	
CST 250 HR	45°	Peak	1973	877	493	316	219	161	123	-	
		Flat	1973	877	493	316	219	161	123	-	
CST 250 HR	75°	Peak	800	356	200	128	89	-	-	-	
		Flat	600	267	150	96	-	-	-	-	

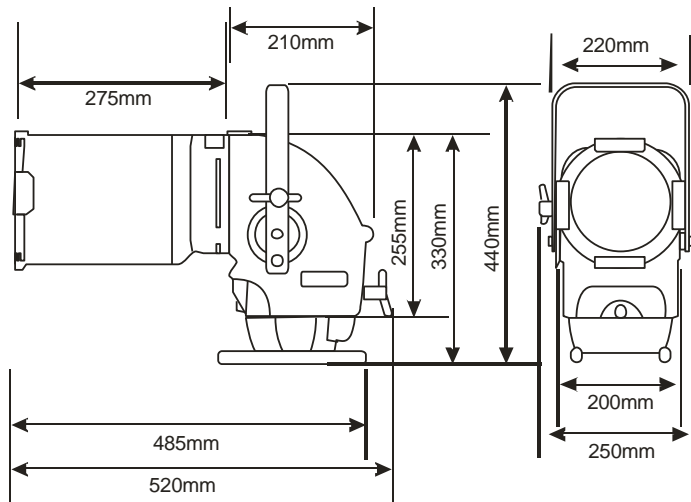
Physical Data

Weight: 9.4 Kg

Carton Size: 650mm x 400mm x 260mm (estimated)

Colour frame size: 185mm square **Gobo size:** A, 75mm diameter image

Included: 1x colour frame, 1x fitted safety bond, 1x heat sink guard, 1x M12 suspension bolt set and instruction leaflet.



Philips Selecon reserves the right to change the specifications without notice (October 2011).

PHILIPS
Selecon