

# Product Specification Sheet

## Hui Flood



The Philips Selecon Acclaim and Aurora ranges have a well-deserved reputation for delivering filter life up to double of that of some cyc floods.

Further developments of our heat exhaust/control system has resulted in HUI delivering industry leading filter life for their class and size.

Designed to withstand the most gruelling rental and production work.

Engineered from precision sheet metal and aluminium extrusions.

### Features

The HUI range uses either the 800W P2/11 lamp or the standard 300W K9 or 500W K1 THD lamps (118mm).

Make your own battens using the HUI slot lock joint system that allows a number of units to be locked together.

Makes a very effective groundrow. Simply reverse the colour cassette by removing the two screw pivot hinges. Add screw jack feet for adjustment. See separate HUI Groundrow specification sheet for conversion details.

Re-lamp without having to remove the filter or break focus.

Filter holder is held captive by spring hinged extruded cover that also blocks unwanted light spill.

One handed operation only required to focus, change filters etc.

Mains Power Disconnect – a microswitch isolates the mains supply when opening to re-lamp (phase and neutral) protecting against a student or technician inserting a lamp into a live socket.

Safety glass ensures that in the unlikely event of a lamp exploding that the remains are held captive within the luminaire.

Shape the beam and contain glare with the four-door barndoor accessory – fits all models.

### Lamps: 220V-240V

<b>800W P2/11</b> 24,000 lumens	150hrs average life
<b>500W K1</b> 9,900 lumens	2,000hrs average life
<b>300W K9</b> 5,600 lumens	2,000hrs average life
<b>200W K11</b> 3,520 lumens	2,000hrs average life

### Order Codes

<b>12HUIFLD1</b> HUI Flood 1 – maximum 800W
<b>12HUIFLD3</b> HUI Flood 3-way Batten – max 800W, cable tails
<b>12HUIFLD3G</b> HUI Flood 3-way Batten – max 800W, connector terminals
<b>12HUIFLD4</b> HUI Flood 4-way Batten – max 800W, cable tails
<b>12HUIFLD4G</b> HUI Flood 4-way Batten – max 800W, connector terminals
<b>15HLGDSF</b> Groundrow screw jack feet (set of 2)
<b>15HUIBD</b> Barndoor – 4 leaf
<b>15HLJ</b> Joiner set (2 of) slot locks
<b>15HLCF</b> Spare colour frame

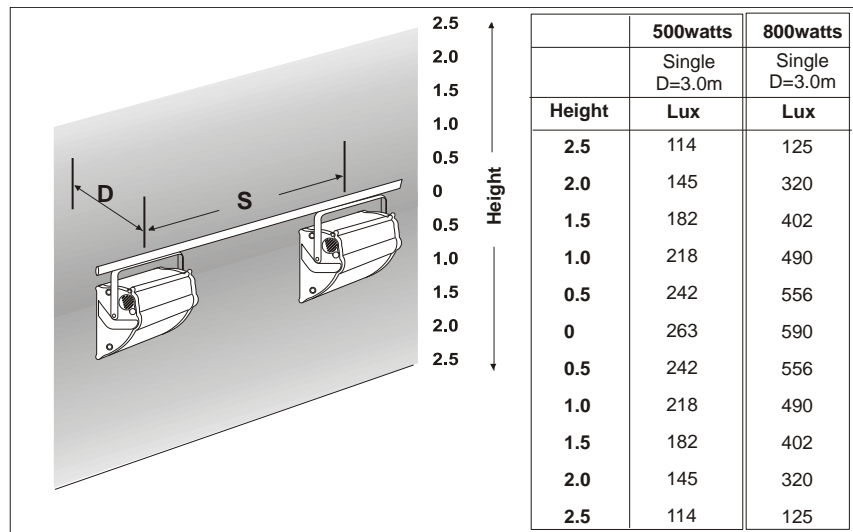
### Approvals

Fully tested and compliant to CE standards.

The Hui Flood is a high performance entertainment luminaire designed for entertainment and studio applications; it is not designed for continuous use as required for a work light or rehearsal light. For these applications please use the Hui Work Light.

## Photometric Data

Tests conducted using standard R7 118mm double-ended linear lamps: 500W & 800W 240V.

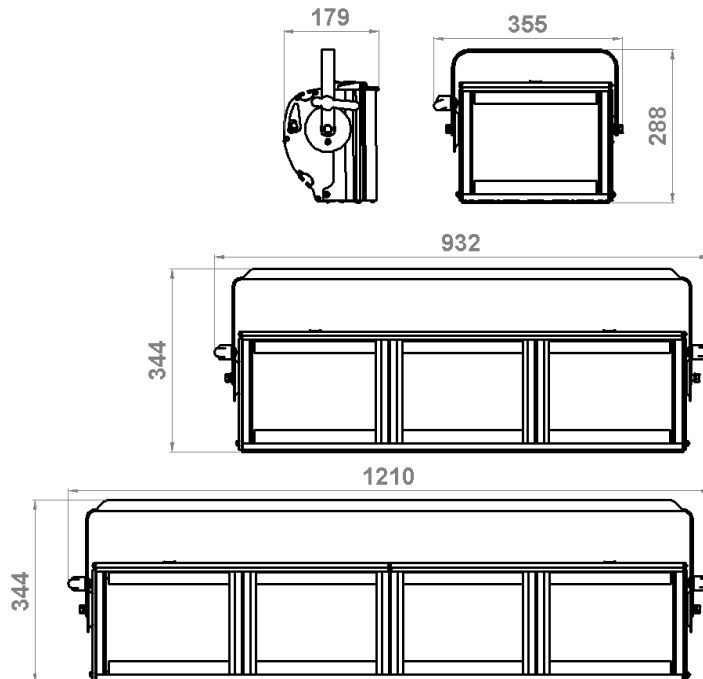


## Physical Data

	Single	3-way	4-way
<b>Weight:</b>	4.1kg	10.7kg	14kg

**Colour frame size:** 265mm x 203mm

**Included:** 1x colour frame per cell, 1x M12 suspension bolt set and instruction leaflet.



Philips Selecon reserves the right to change the specifications without notice (October 2011).

**PHILIPS**  
**Selecon**